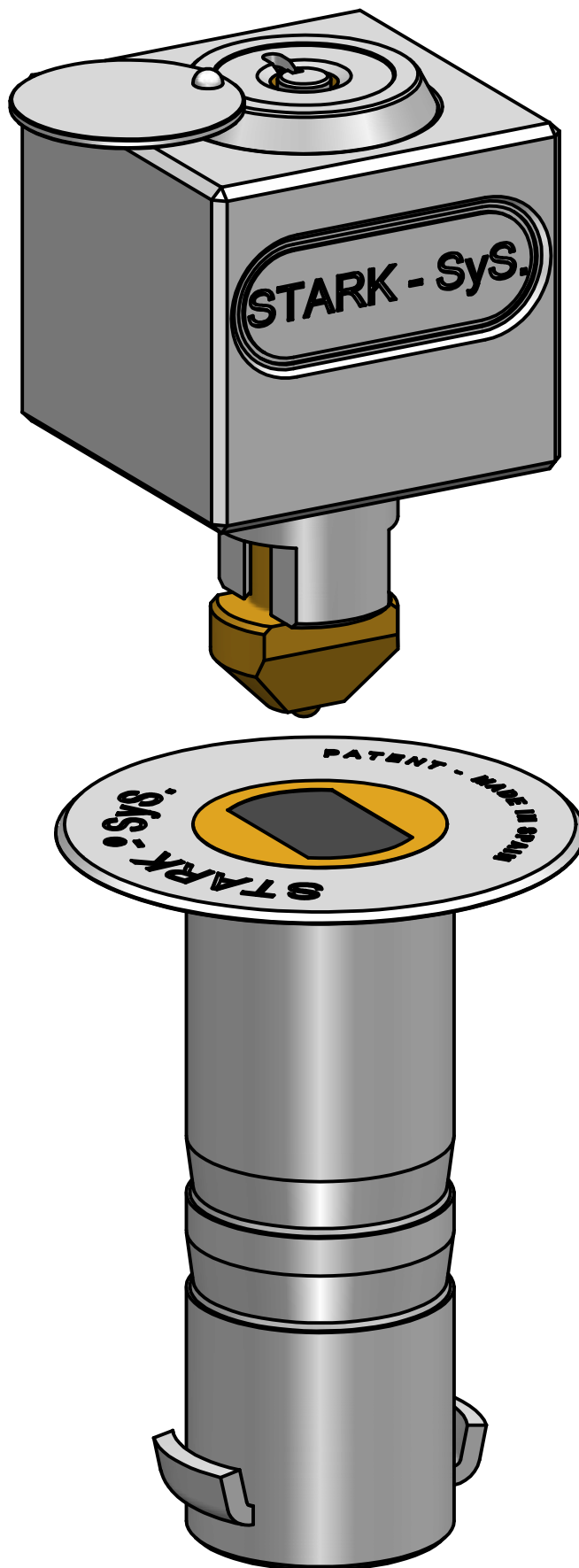


ATK07 (Open)**



ATK07 (Closed)**



ATK07

LOCKING DEVICE FOR TILTING DOORS AND SIMILARS

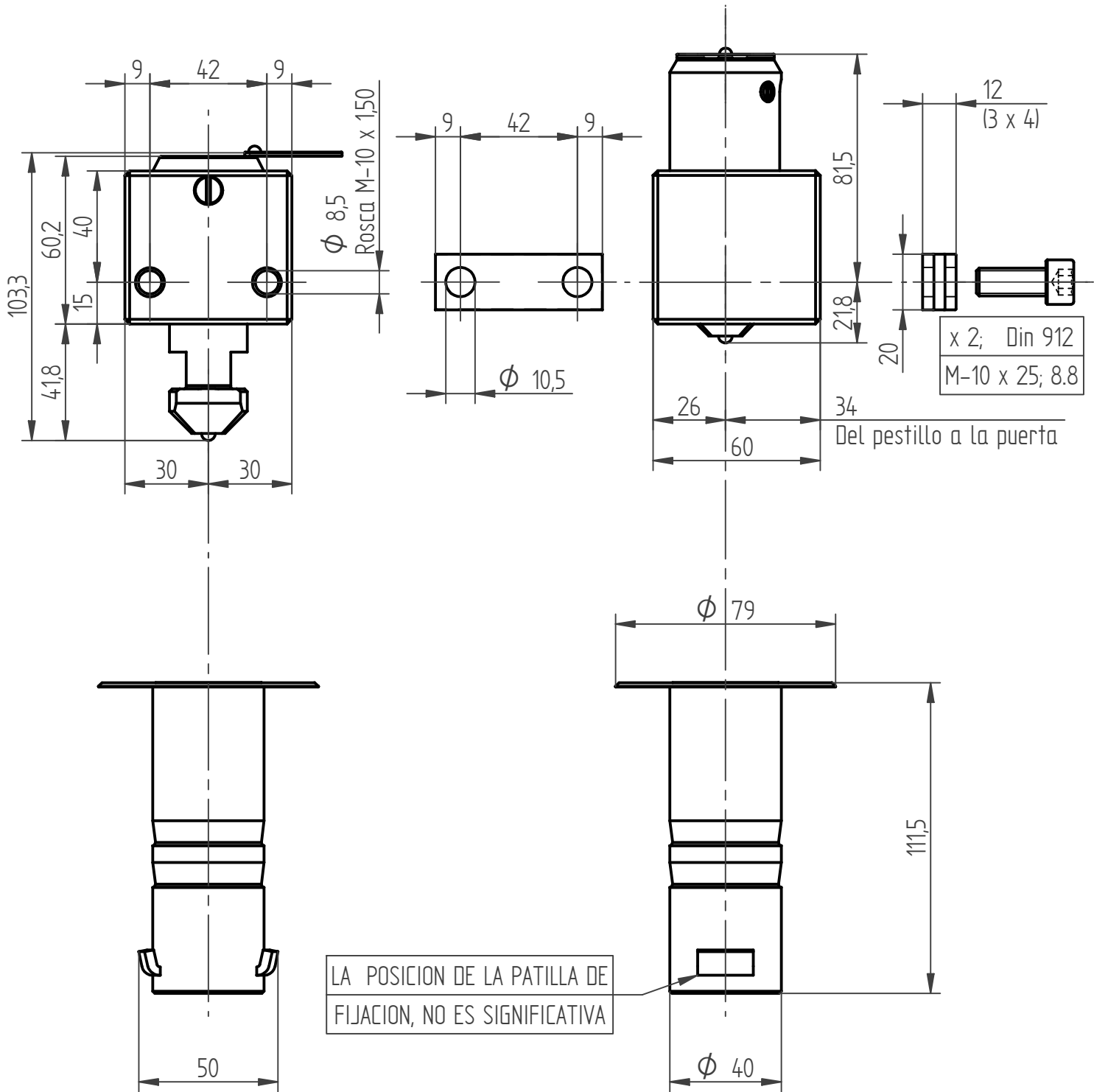
This locking device specifically designed for overhead doors is characterized: a tubular body which houses a rotary latch which is driven by a high security cylinder with anti-drilling protection. At the opening position, it moves axially upward, being stabilized in that position by removing the key, allowing the tilting movement of the door.

The head body is made of solid and chrome plated brass, the tubular body is made of steel with a highly anti-corrosive treatment and the rotary locking latch in high resistance hardened steel, with zinc and cromated plating. All the other elements have been made of either stainless steel or with anti-corrosive treatments.

Versions

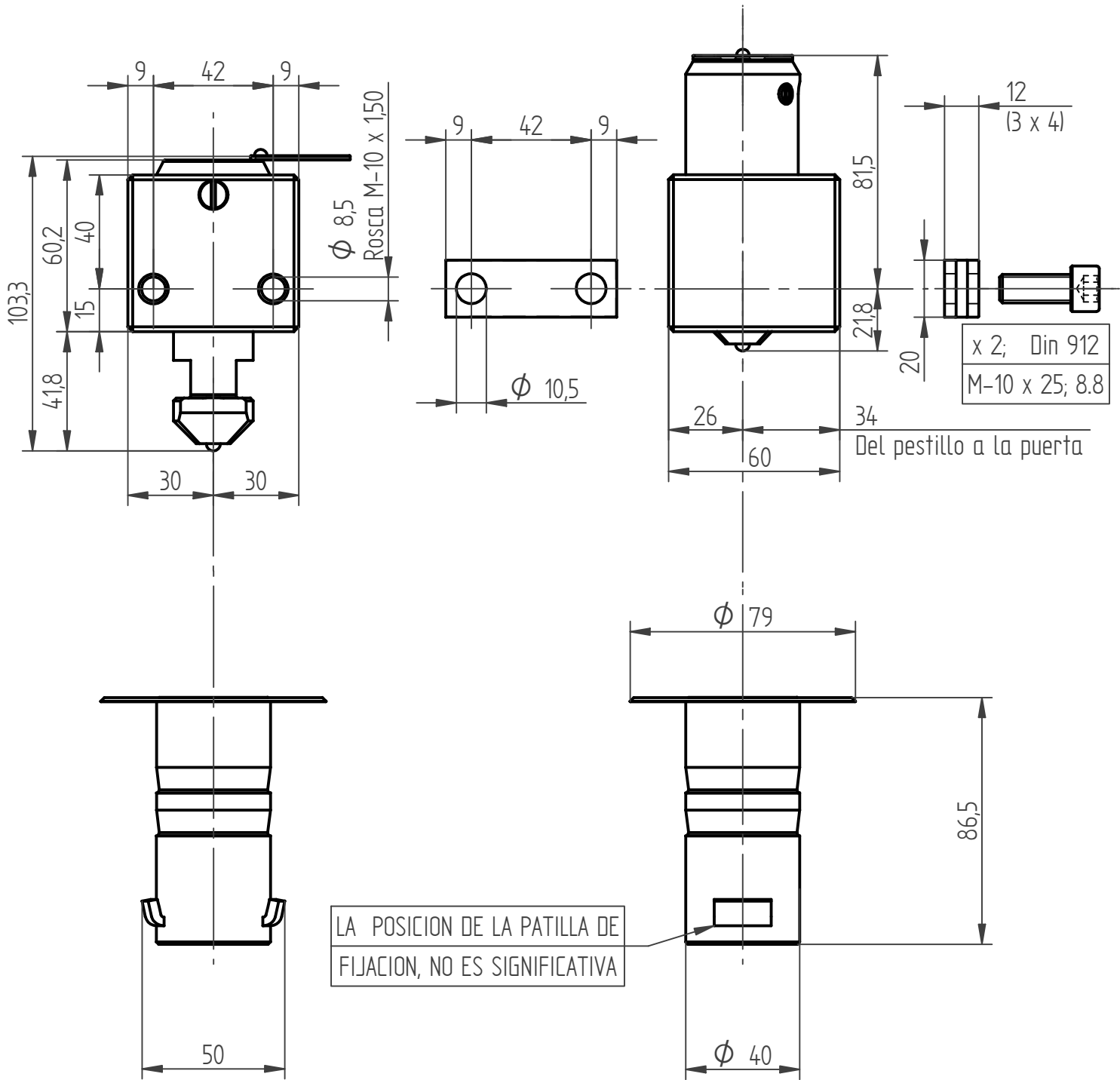
APK07; Also available with flat-key of points-cylinder

See the data sheets, with installation dimensions.



LA POSICION DE LA PATILLA DE FIJACION, NO ES SIGNIFICATIVA

Denominación DIMENSIONES DE INSTALACION ATK/APK07 (Tubo Largo)		Cantidad 1	Código Pieza/Plano INSTAL07L/01	MECSYD, Ltd. STARK SyS, Security Systems	
Material	Escala 1 - 2	Peso Neto	2,25000 kg.	Tolerancias sin Especificar Individualmente	
Dimensiones en Bruto	Trat. Termico			De Longitud	± 0,10 m/m
Peso en Bruto	Recubrimiento			De Ø	± 0,05 m/m Angulos ± 0°30'
Conjunto	ATK/APK07	Fecha Primer Diseño	02-01-1.995	Fecha Ultima Modificación	23-09-2.011



Denominación DIMENSIONES DE INSTALACION ATK/APK07 (Tubo Corto)		Cantidad 1	Código Pieza/Plano INSTAL07C/01	MECSYD, Ltd. STARK SyS, Security Systems	
Material	Escala	1 - 2	Peso Neto	2,15500 kg.	Tolerancias sin Especificar Individualmente
Dimensiones en Bruto	Trat. Termico		De Longitud $\pm 0,10$ m/m		
Peso en Bruto	Recubrimiento		De ϕ	$\pm 0,05$ m/m	Angulos $\pm 0^{\circ}30'$
Conjunto	ATK/APK07	Fecha Primer Diseño	02-01-1.995	Fecha Ultima Modificación	23-09-2.011